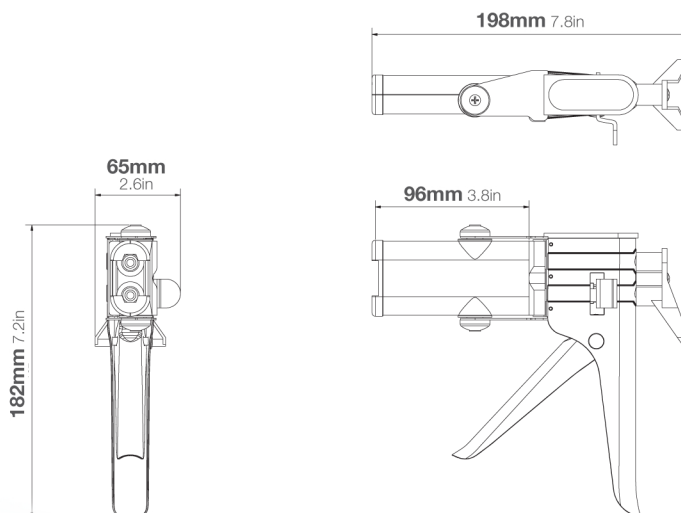


The **CBM 25** is part of a range of manual bi-mixer dispensers, designed for use with medium viscosity sealants and adhesives.

Specifications

- Weight: 0.43kg/0.9lbs
- Cartridge Holder Length: 105mm/ 4.1inch
- Maximum Thrust: 2.5kN
- Handle Material: Epoxy Coated Steel
- Frame Material: Glass Fiber Reinforced Nylon
- Tool Component Approvals: REACH
- Cartridge Capacity: 50mL (1.7oz)
- Cartridge Ratio: 1:1
- Mechanical Advantage Ratio: 12:1
- Viscosity: Medium
- Standard Color: Black/Blue
- Customized versions: Yes

Dimensions

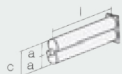


Matching MIXPAC™ side-by-side cartridges



A-System / B-System
50mL / 1:1 PP/PA

Compatible side-by-side cartridges



Plastic Cartridge
50mL / 1:1 PP/PBT

1:1	mm	inch
l	99.7	3.93
a	Ø21.0	Ø0.83
c	46.0	1.81

Conversion kits

Matching accessories