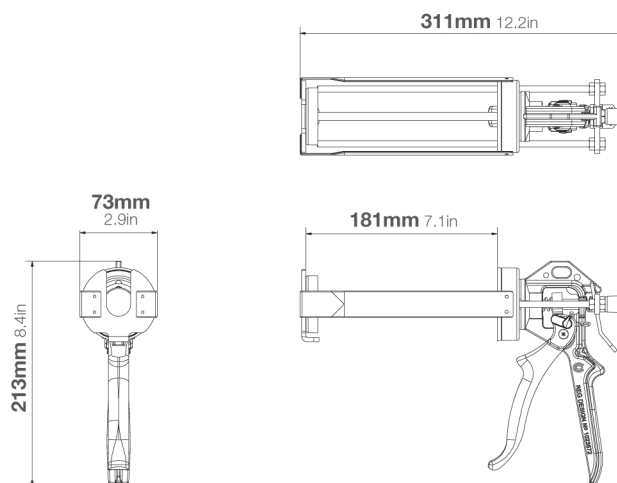


The **CCM 380** is part of a range of manual bi-mixer dispensers, designed for use with medium to high viscosity sealants and adhesives.

## Specifications

- Lightweight: 1.1kg / 2.3lbs
- Cartridge Holder Length: 181mm / 7.1in
- Maximum Thrust: 3.5kN
- Handle Material: Epoxy Coated Aluminum
- Frame Material: Epoxy Coated Steel
- Tool Component Approvals: REACH
- Cartridge Capacity: 380mL (13.4oz)
- Cartridge Ratio: 1:1, 2:1, 5:1, 10:1
- Mechanical Advantage Ratio: 18:1
- Viscosity: Medium/High
- Standard Color: Black/Blue
- Customized versions: Yes

## Dimensions



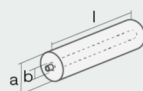
For more information, please visit our website at [www.ccm.com](http://www.ccm.com) or contact us at [sales@ccm.com](mailto:sales@ccm.com).

## Matching MIXPAC™ coaxial cartridges



**Q-System Cartridge**  
380mL 10:1 / PA

## Compatible coaxial cartridges



**Plastic Cartridge**  
380mL10:1 / PP

	mm	inch
l	183.0	7.2
a	Ø 63.0	Ø 2.4
b	Ø 18.0	Ø 0.7

## Conversion kits

## Matching accessories