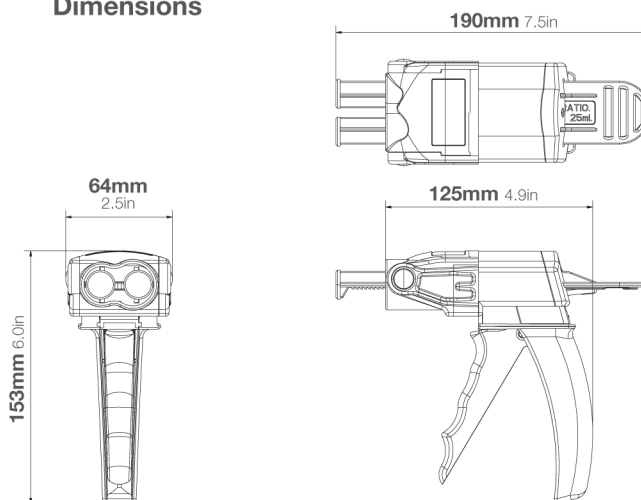


The **MPD** is part of a range of manual bi-mixer dispensers, designed for use with medium to high viscosity sealants and adhesives.

Specifications

- Weight: 0.2kg/0.4lbs
- Frame Length: 125mm 4.9in
- Maximum Thrust: 3.5kN
- Handle Material: Plastic
- Frame Material: Plastic
- Tool Component Approvals: REACH
- Cartridge Capacity: 50mL (1.7oz)
- Cartridge Ratio: 1:1, 2:1, 4:1, 10:1
- Mechanical Advantage Ratio: 16:1
- Viscosity: Medium/High
- Standard Color: Grey/Blue
- Customized Versions: Yes

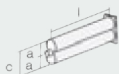
Dimensions



Matching MIXPAC™ side-by-side cartridges



Compatible side-by-side cartridges



Rectangular Flange Cartridge
50mL / 1:1 PP / PBT

1:1	mm	inch
l	99.7	3.93
a	Ø21.0	Ø0.83
c	46.0	1.81

Conversion kits

Matching accessories