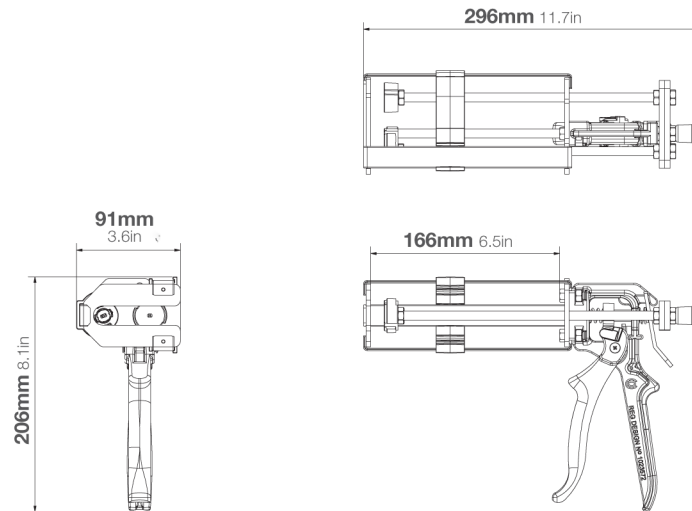


The **VBM 200 MR** is part of a range of manual bi-mixer dispensers, designed for use with medium to high viscosity sealants and adhesives.

Specifications

- Lightweight: 1.5kg / 3.3lbs
- Cartridge Holder Length: 166mm / 4.5inch
- Maximum Thrust: 3.5kN
- Handle Material: Epoxy Coated Aluminum
- Frame Material: Epoxy Coated Steel
- Tool Component Approvals: REACH
- Cartridge Capacity: 200mL / 7.0oz
- Cartridge Ratio: 1:1, 2:1, 4:1, 10:1
- Mechanical Advantage Ratio: 18:1
- Viscosity: Medium/High
- Standard Color: Black/Blue
- Customized Versions: Yes

Dimensions



Matching MIXPAC™ side-by-side cartridges



C-System / F-System
200mL / 1:1 PP/PA/PBT



C-System / F-System
200mL / 2:1 PP/PA

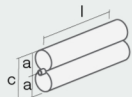


C-System / F-System
200mL / 4:1 PP/BPT



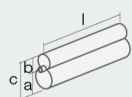
C-System / F-System
200mL / 10:1 PP/BPT

Compatible side-by-side cartridges



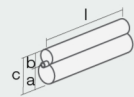
Plastic Cartridge
200mL / 1:1 PP/PBT

1:1	mm	inch
l	148.0	5.83
a	Ø37.0	Ø1.46
c	79.0	3.11



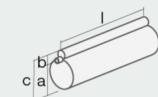
Plastic Cartridge
200mL / 2:1 PP

2:1	mm	inch
l	148.0	5.83
a	Ø50.0	Ø1.97
b	Ø31.0	Ø1.22
c	81.0	3.19



Plastic Cartridge
200mL / 4:1 PP/PBT

4:1	mm	inch
l	148.0	5.83
a	Ø49.0	Ø1.93
b	Ø25.0	Ø0.98
c	77.0	3.03



Plastic Cartridge
200mL / 10:1 PP/PBT

10:1	mm	inch
l	147.0	5.79
a	Ø55.0	Ø2.17
b	Ø19.0	Ø0.75
c	78.0	3.07

Conversion kits

Conversion kit included

Matching accessories

-